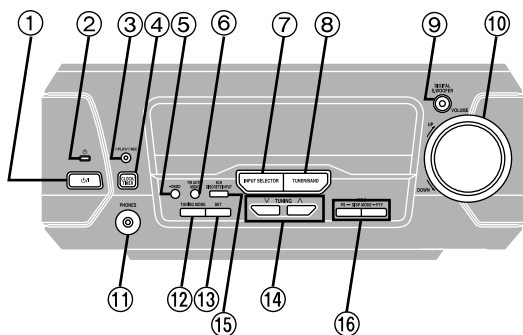


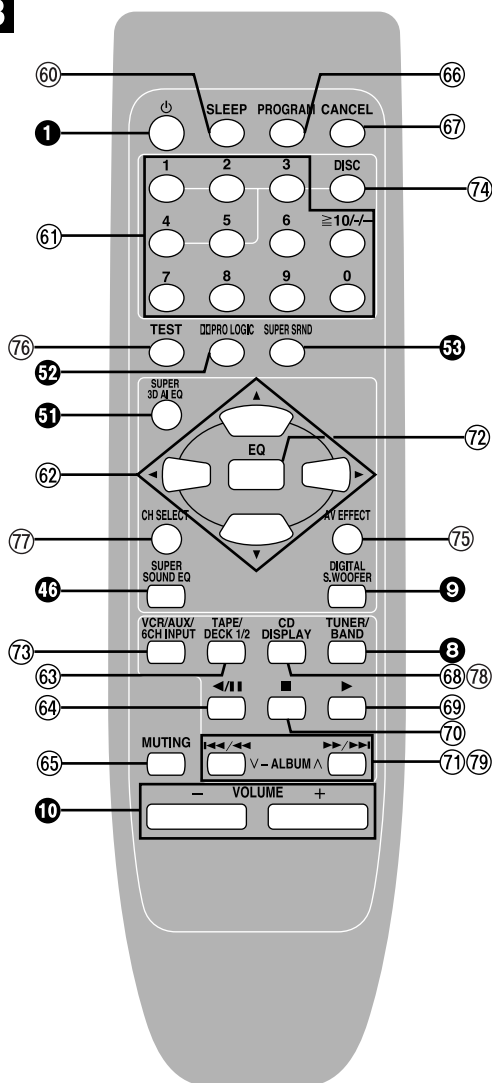
## A



## A Tuner/amplifier

- ① **Standby/on switch (⏻/⏻)**  
Press to switch the unit from on to standby mode or vice versa. In standby mode, the unit is still consuming a small amount of power.
- ② **Standby indicator (Ⓛ)**  
When the unit is connected to the AC mains supply, this indicator lights up in standby mode and goes out when the unit is turned on.
- ③ **Play timer/record timer button and indicator (⏻/⏻)**
- ④ **Clock/timer button (CLOCK/TIMER)**
- ⑤ **Demo button (–DEMO)**
- ⑥ **FM mode button (FM AUTO/MONO)**
- ⑦ **Source input button (INPUT SELECTOR)**
- ⑧ **Tuner/band button (TUNER/BAND)**
- ⑨ **Digital super woofer button and indicator (DIGITAL S.WOOFER)**
- ⑩ **Volume control (VOLUME)**
- ⑪ **Headphone jack (PHONES)**
- ⑫ **Tuning mode button (TUNING MODE)**
- ⑬ **Set button (SET)**
- ⑭ **Tuning buttons (v, ^ TUNING)**
- ⑮ **6ch discrete input button (6CH DISCRETE INPUT)**
- ⑯ **RDS display mode button (RDS, PS–DISP MODE–PTY)**

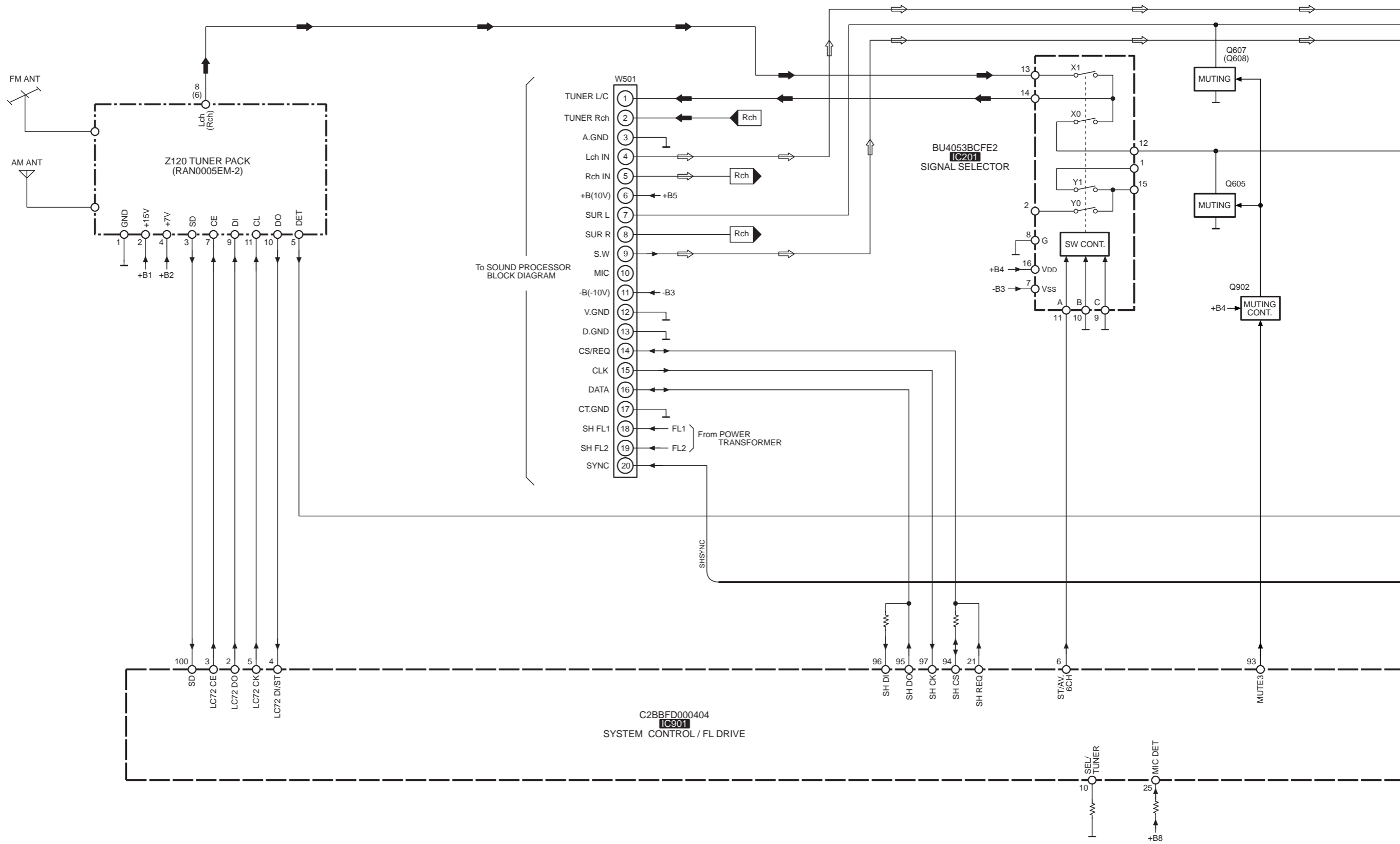
## B

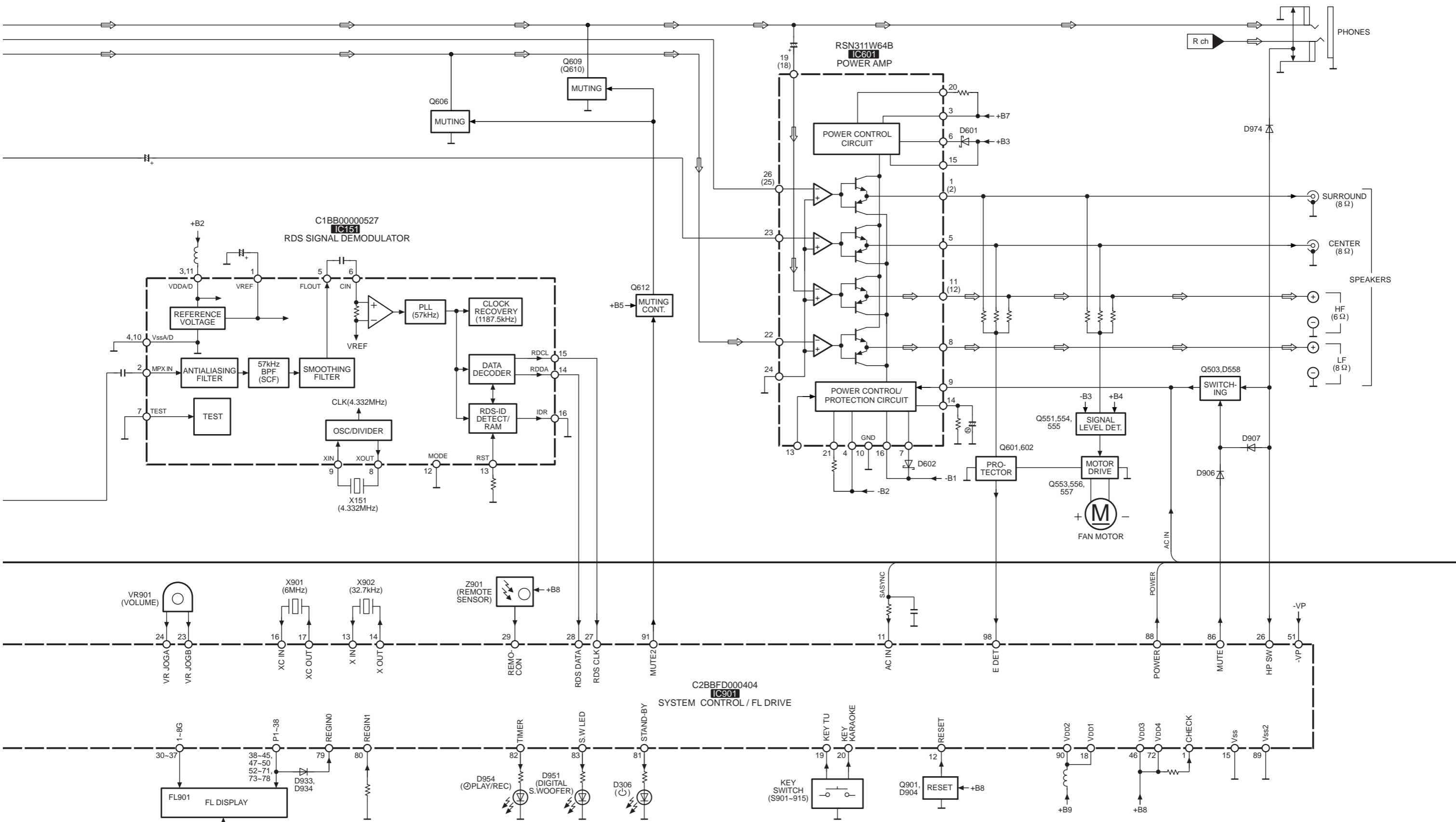


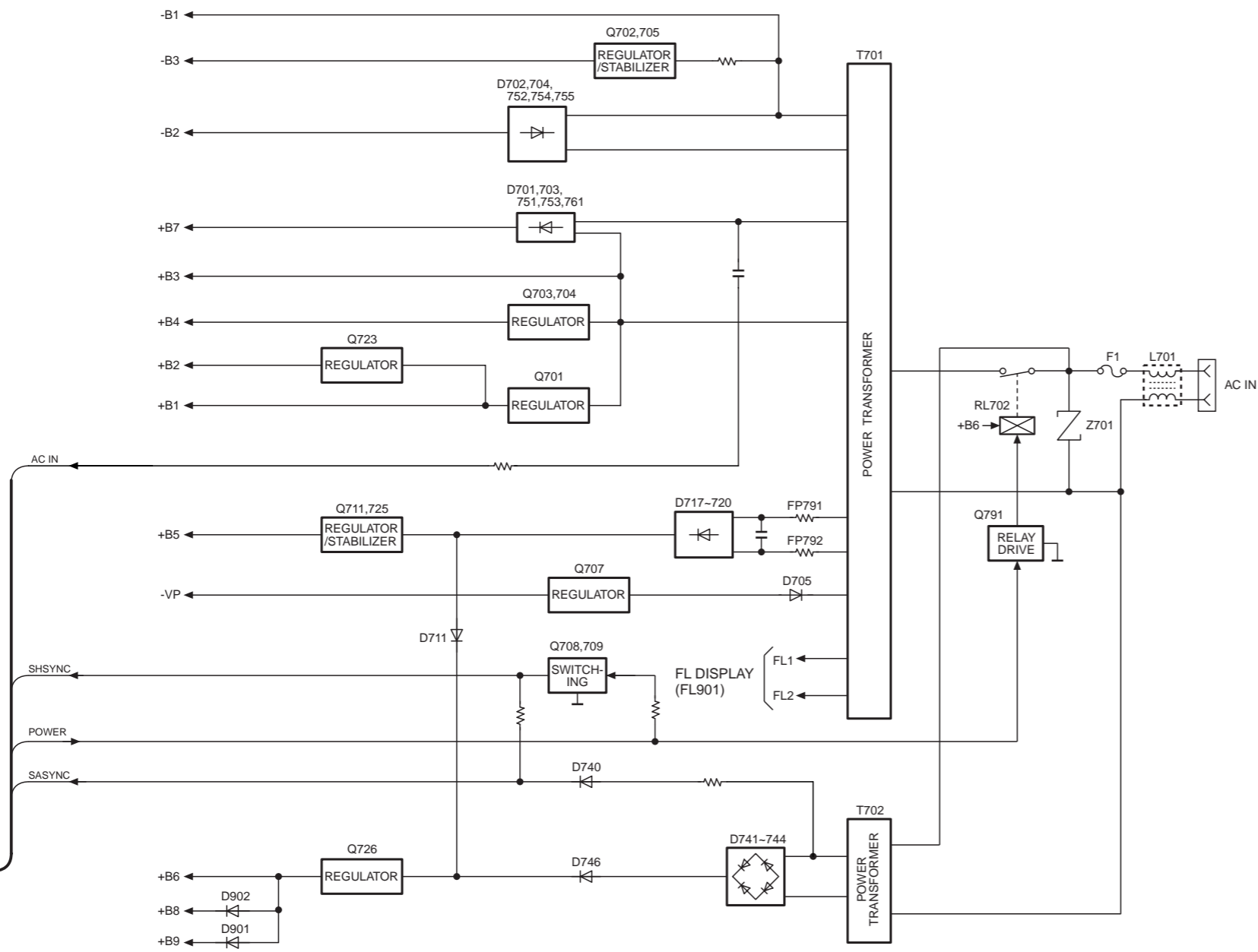
## B Remote control

Buttons such as ① function in the same way as the controls on the main unit.

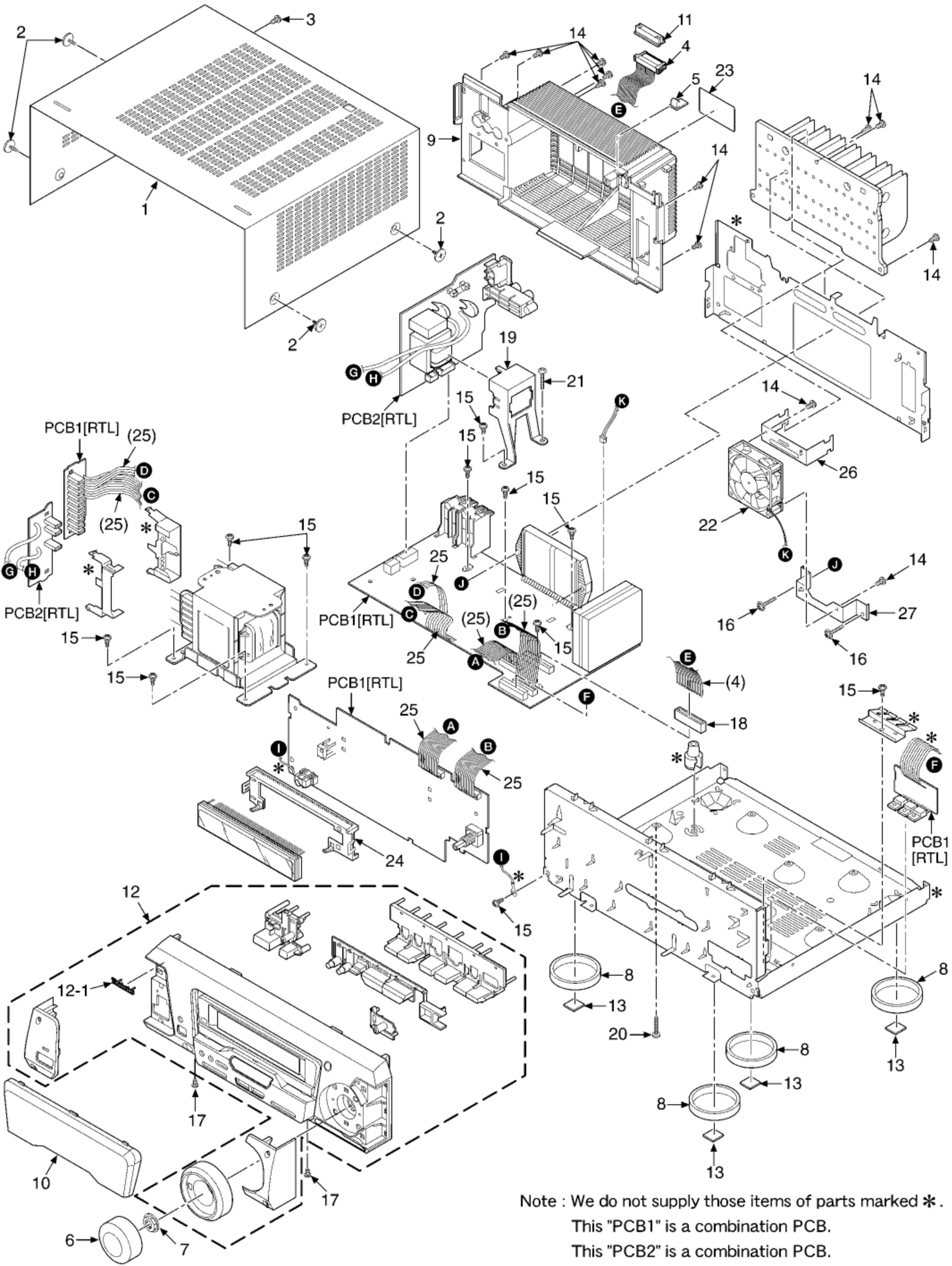
- ⑥⑩ **Sleep timer button (SLEEP)**
- ⑥① **Numbered buttons (1–9, 0, ≥10/–)**
- ⑥② **Cursor buttons (◀, ▶, ▲, ▼)**
- ⑥③ **Tape select, deck 1/deck 2 select button (TAPE/DECK 1/2)**
- ⑥④ **CD pause/tape reverse playback button (◀/||)**
- ⑥⑤ **Muting button (MUTING)**
- ⑥⑥ **Program button (PROGRAM)**
- ⑥⑦ **Cancel button (CANCEL)**
- ⑥⑧ **CD button (CD)**
- ⑥⑨ **CD play/tape forward playback button (▶)**
- ⑦⑩ **CD/tape stop button (■)**
- ⑦① **CD skip/search, tape fast forward/rewind buttons (I◀◀/◀◀, ▶▶/▶▶I)**
- ⑦② **EQ button (EQ)**
- ⑦③ **Input select button (VCR/AUX/6CH INPUT)**
- ⑦④ **Disc button (DISC)**
- ⑦⑤ **AV effect button (AV EFFECT)**
- ⑦⑥ **Test button (TEST)**
- ⑦⑦ **Channel select button (CH SELECT)**
- ⑦⑧ **Display button (DISPLAY)**
- ⑦⑨ **Album skip buttons (v, ^ –ALBUM)**







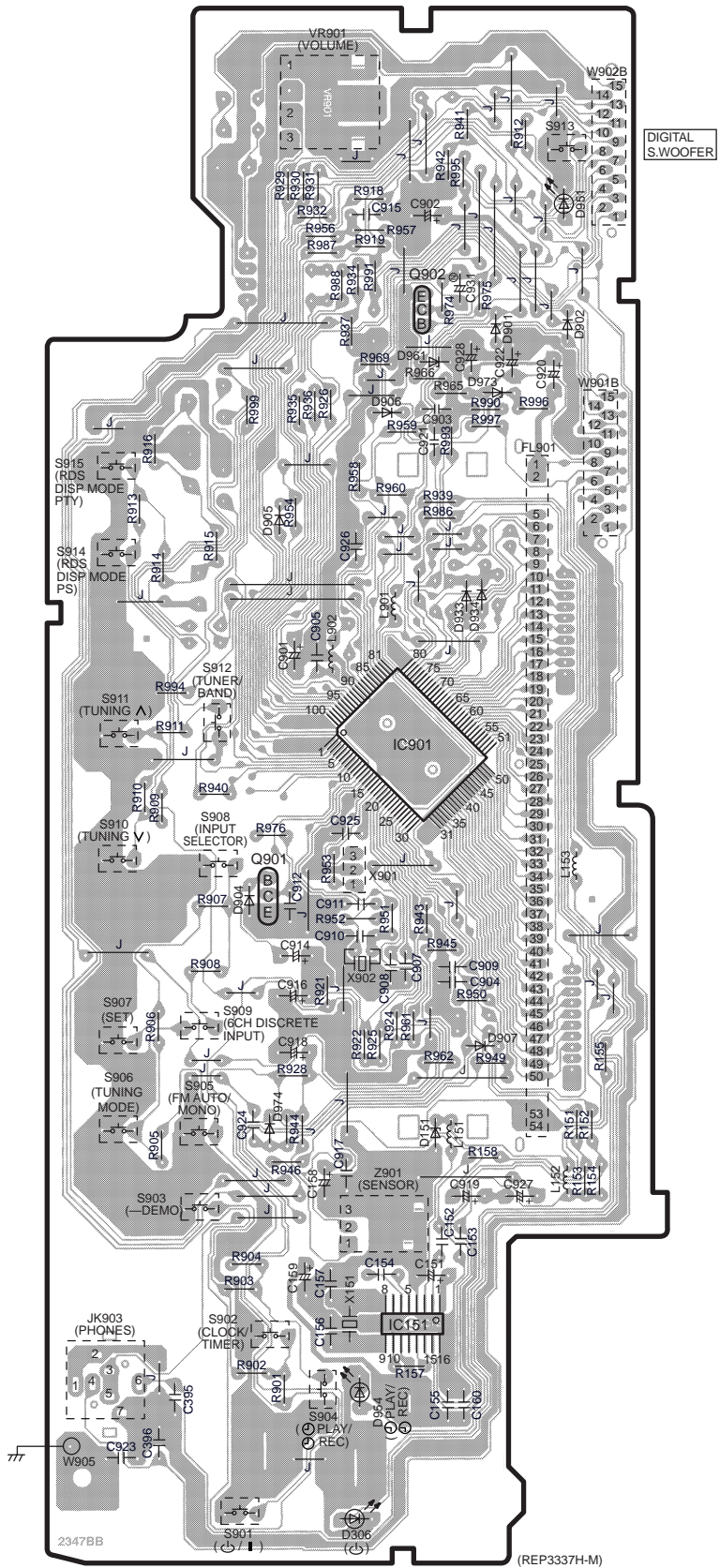
NOTES : ● SIGNAL LINE  
 ⇄ : AUDIO SIGNAL  
 → : TUNER SIGNAL  
 ● ( ) indicates pin No. Right channel.



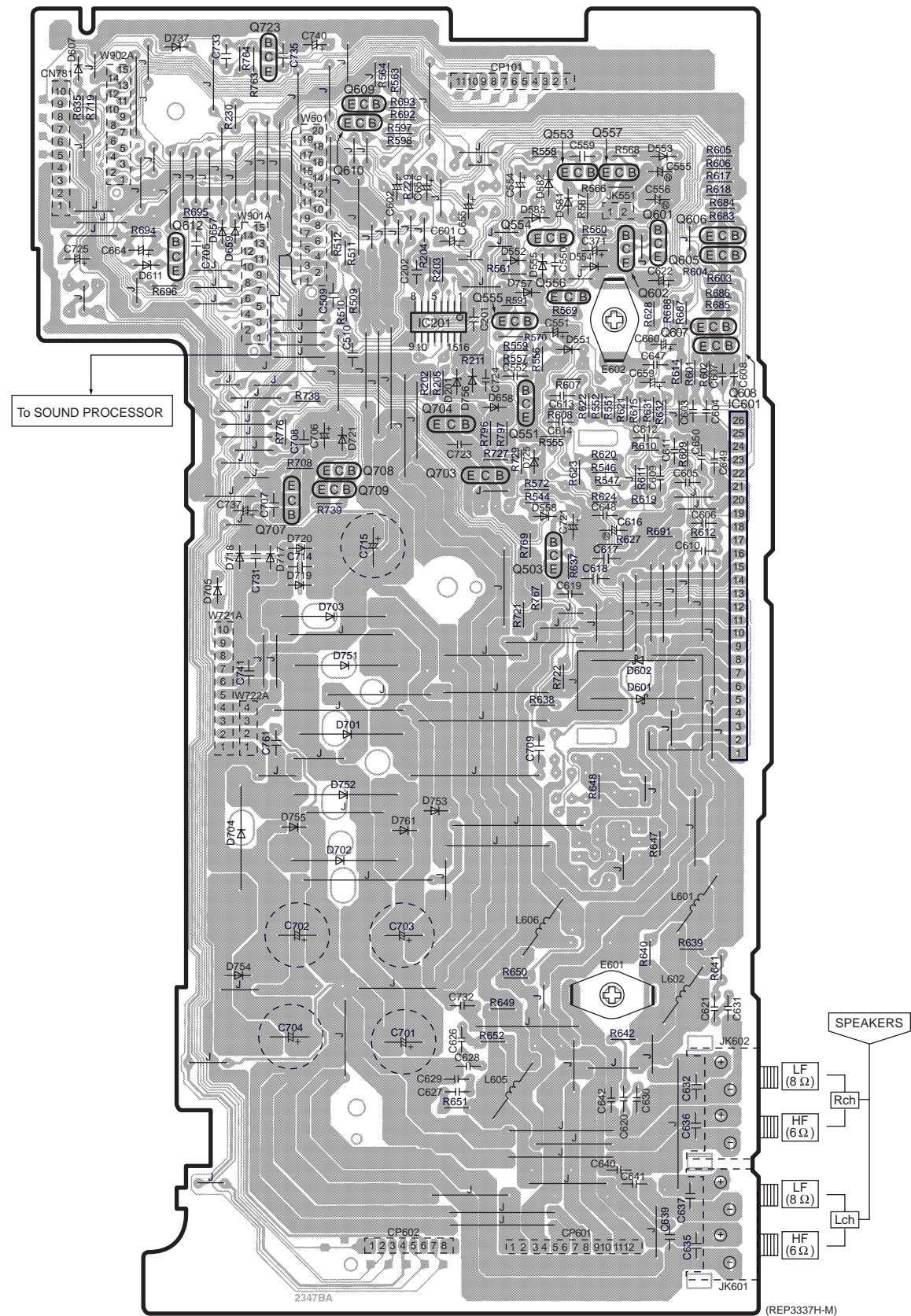
Note : We do not supply those items of parts marked \*.  
 This "PCB1" is a combination PCB.  
 This "PCB2" is a combination PCB.

Note: This printed circuit board diagram may be modified at any time with the development of new technology.

### A OPERATION P.C.B.



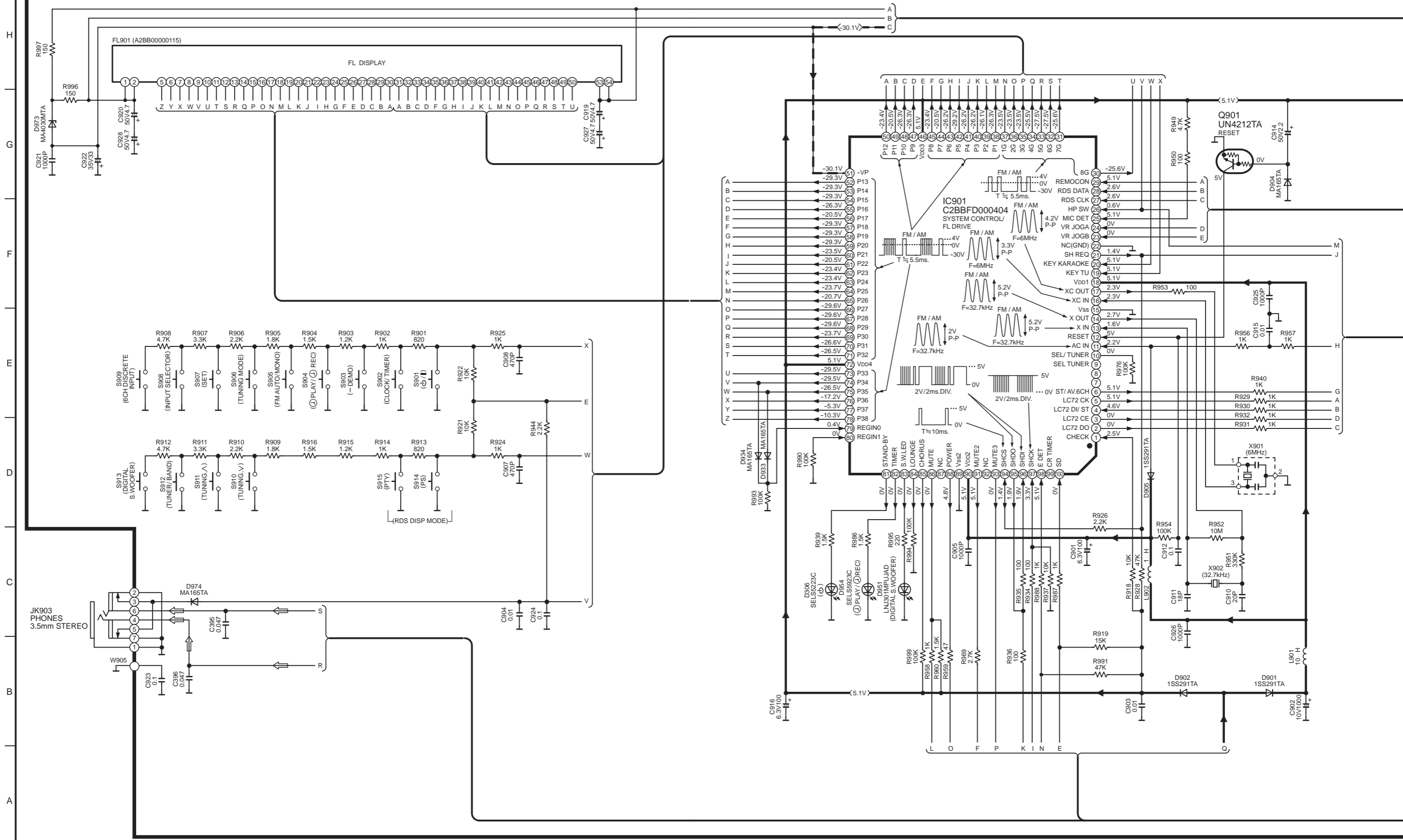
### B MAIN P.C.B.





**A OPERATION CIRCUIT**

→ : POSITIVE VOLTAGE LINE    - - - - - : NEGATIVE VOLTAGE LINE    ⇨ : AUDIO SIGNAL LINE



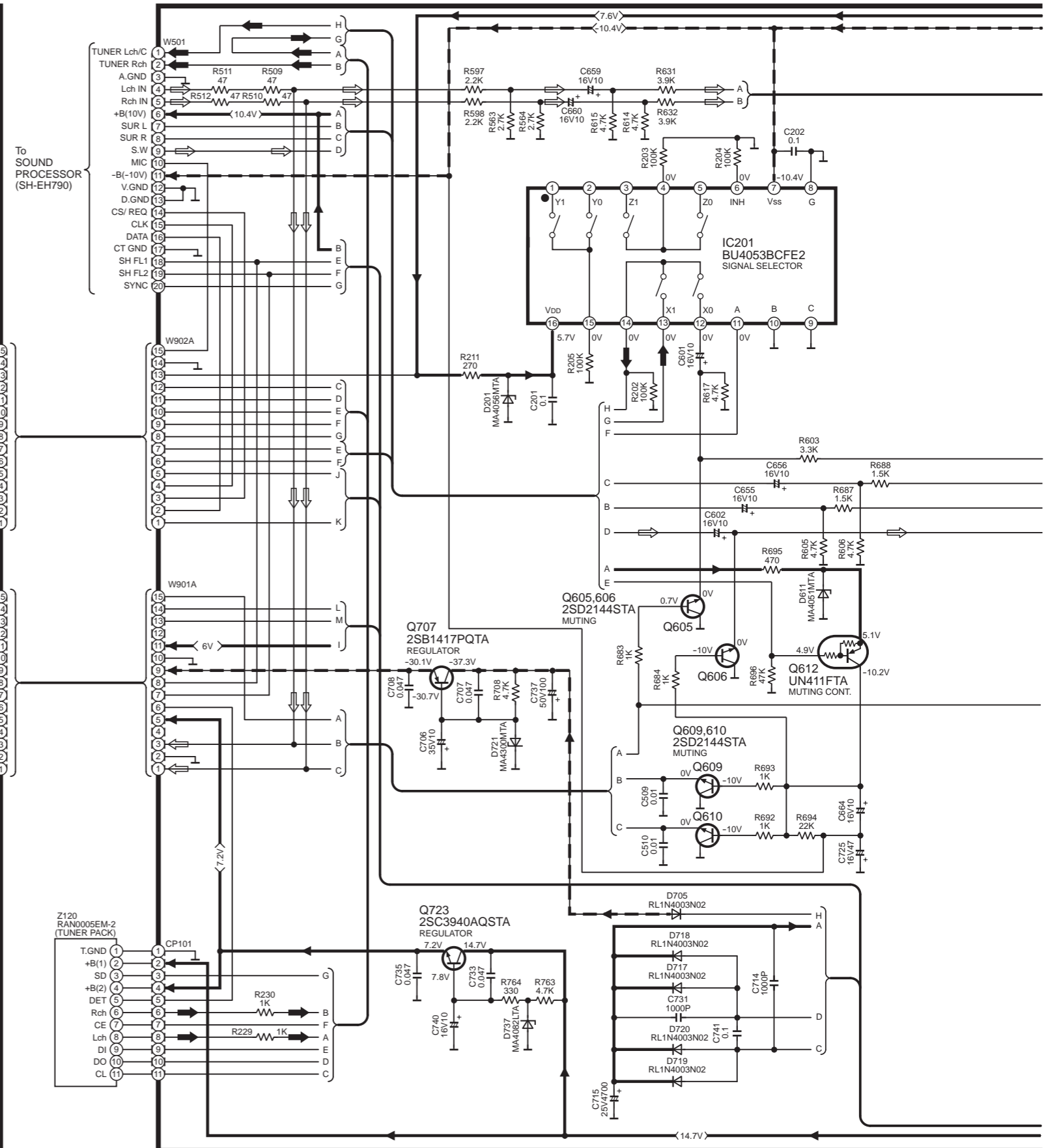
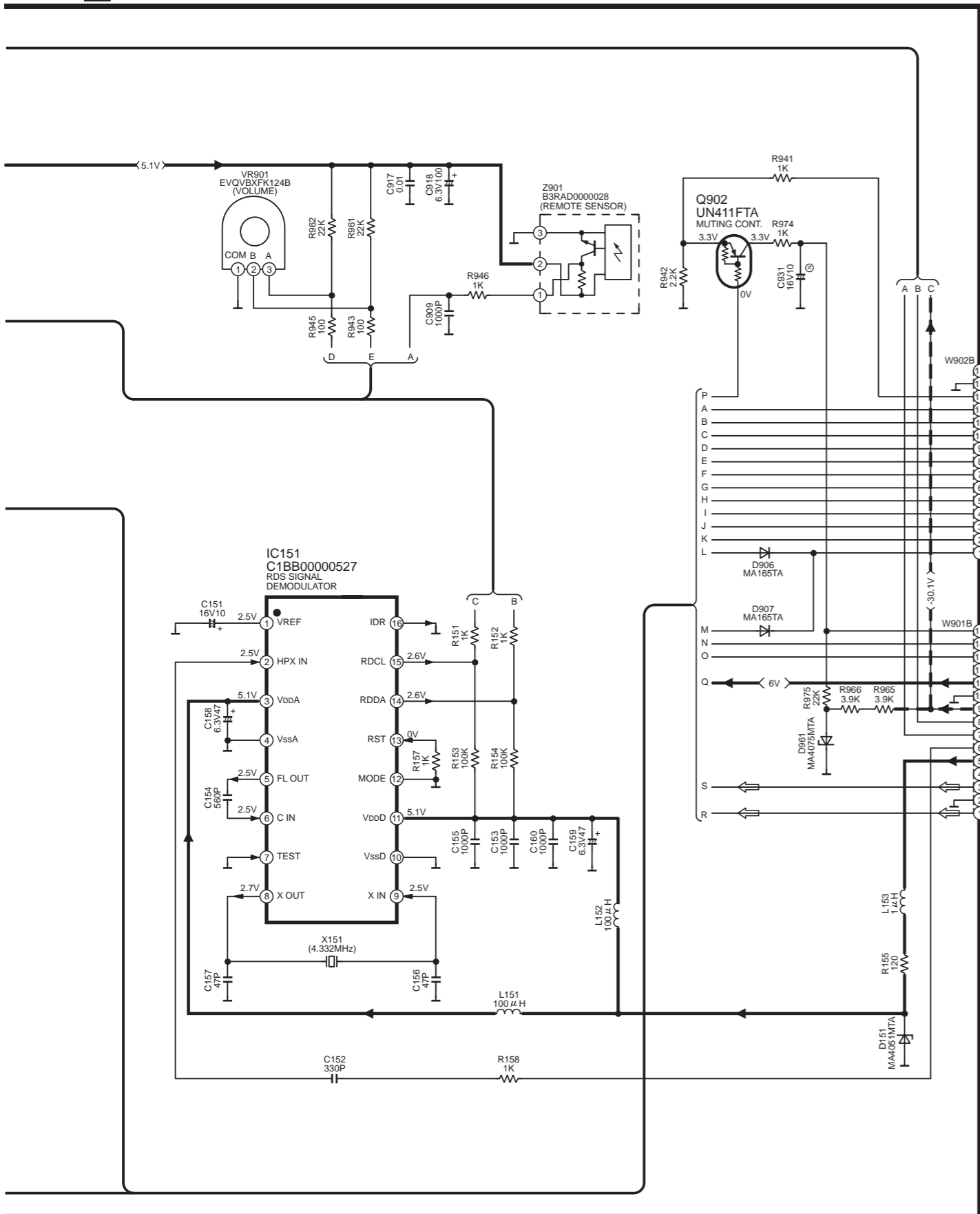
SA-EH790(E,EB,EG,EP) OPERATION CIRCUIT DIAGRAM



**A OPERATION CIRCUIT**

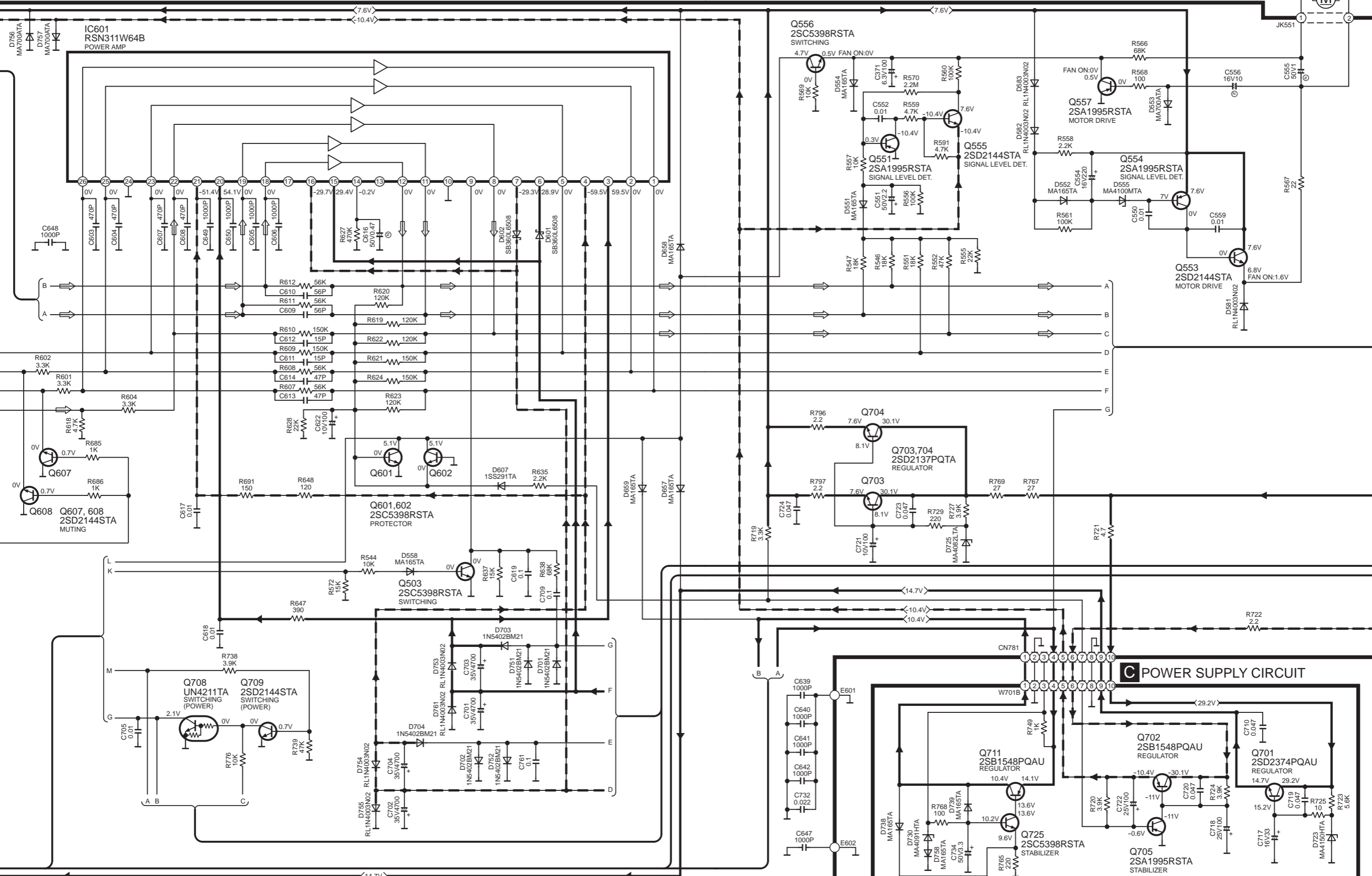
- - - : NEGATIVE VOLTAGE LINE    ⇨ : AUDIO SIGNAL LINE  
 ——— : POSITIVE VOLTAGE LINE    ⇨ : TUNER SIGNAL LINE

**B MAIN CIRCUIT**

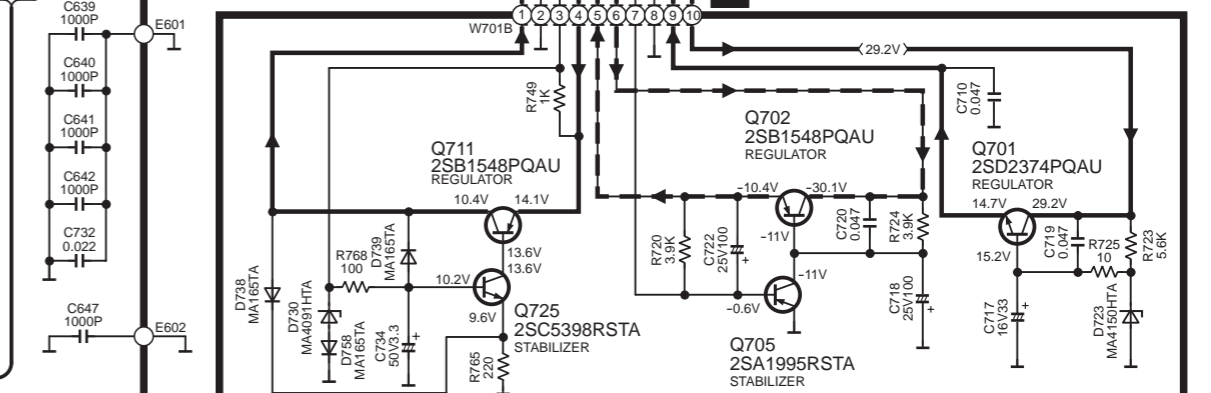


**B MAIN CIRCUIT**

→ : POSITIVE VOLTAGE LINE  
- - - : NEGATIVE VOLTAGE LINE  
⇨ : AUDIO SIGNAL LINE

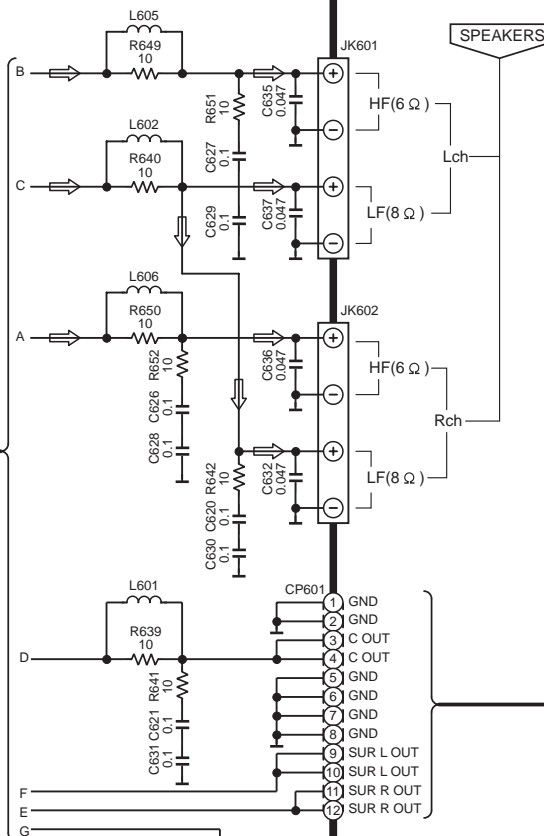


**C POWER SUPPLY CIRCUIT**

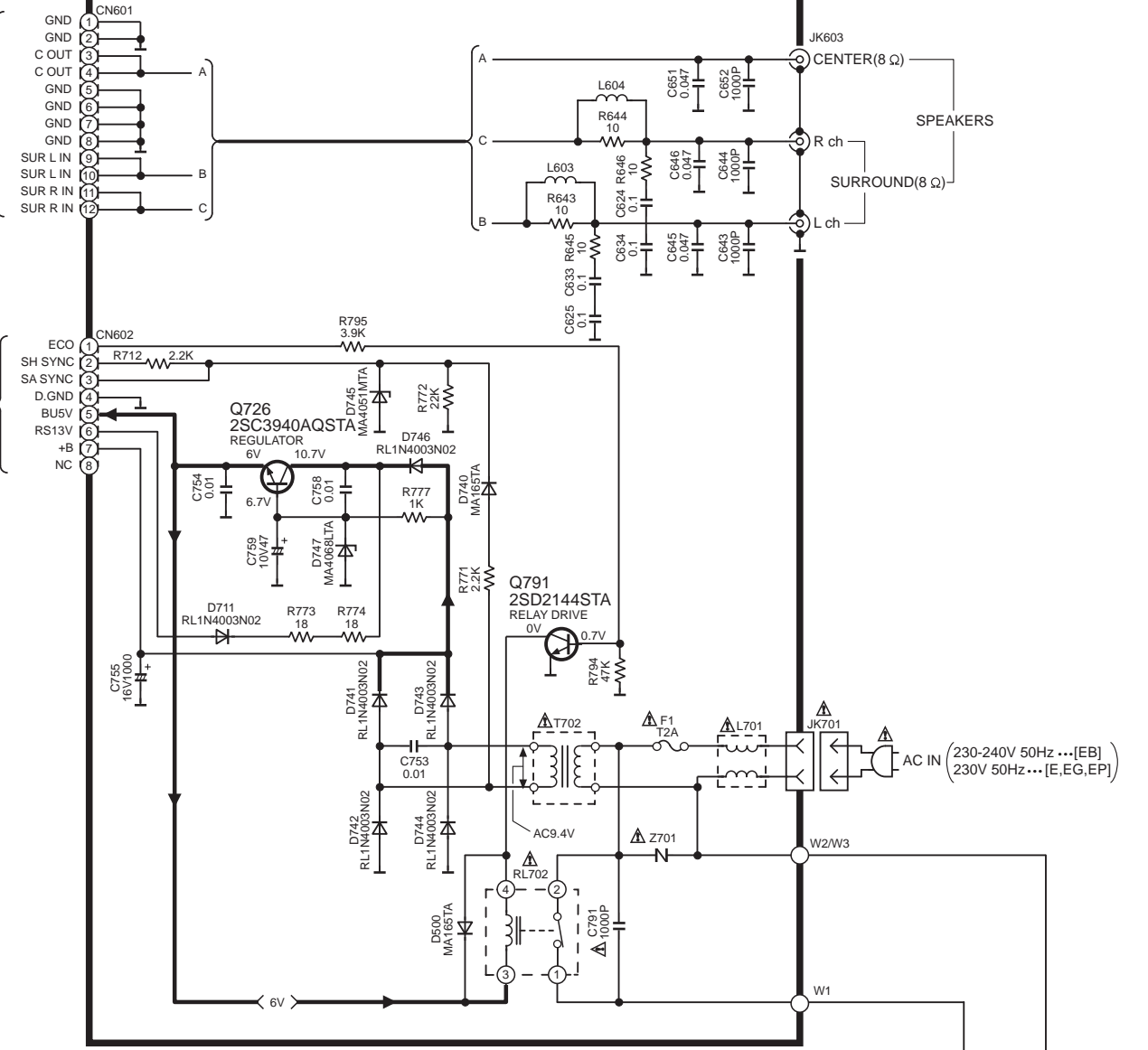


**B MAIN CIRCUIT**

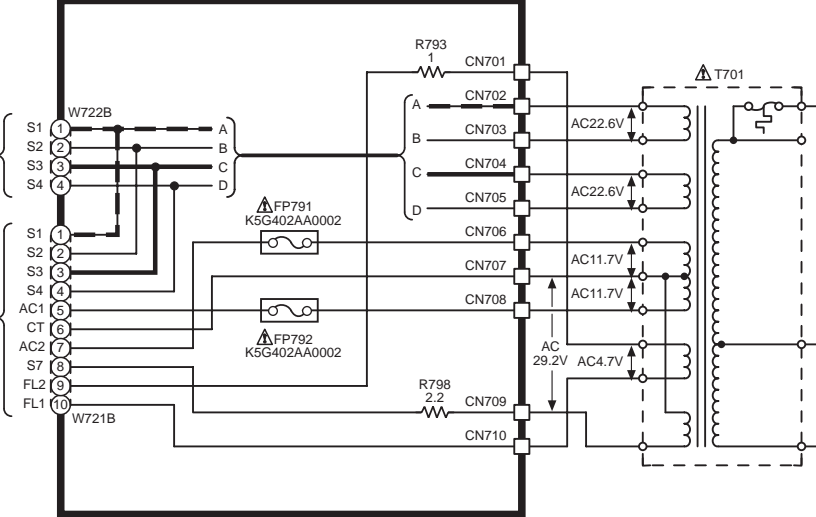
➔ : POSITIVE VOLTAGE LINE  
 ➔ : NEGATIVE VOLTAGE LINE ➔ : AUDIO SIGNAL LINE



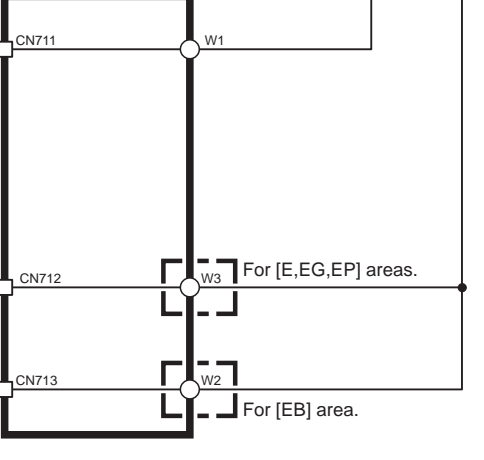
**D AC IN CIRCUIT**



**E POWER TRANSFORMER (A) CIRCUIT**

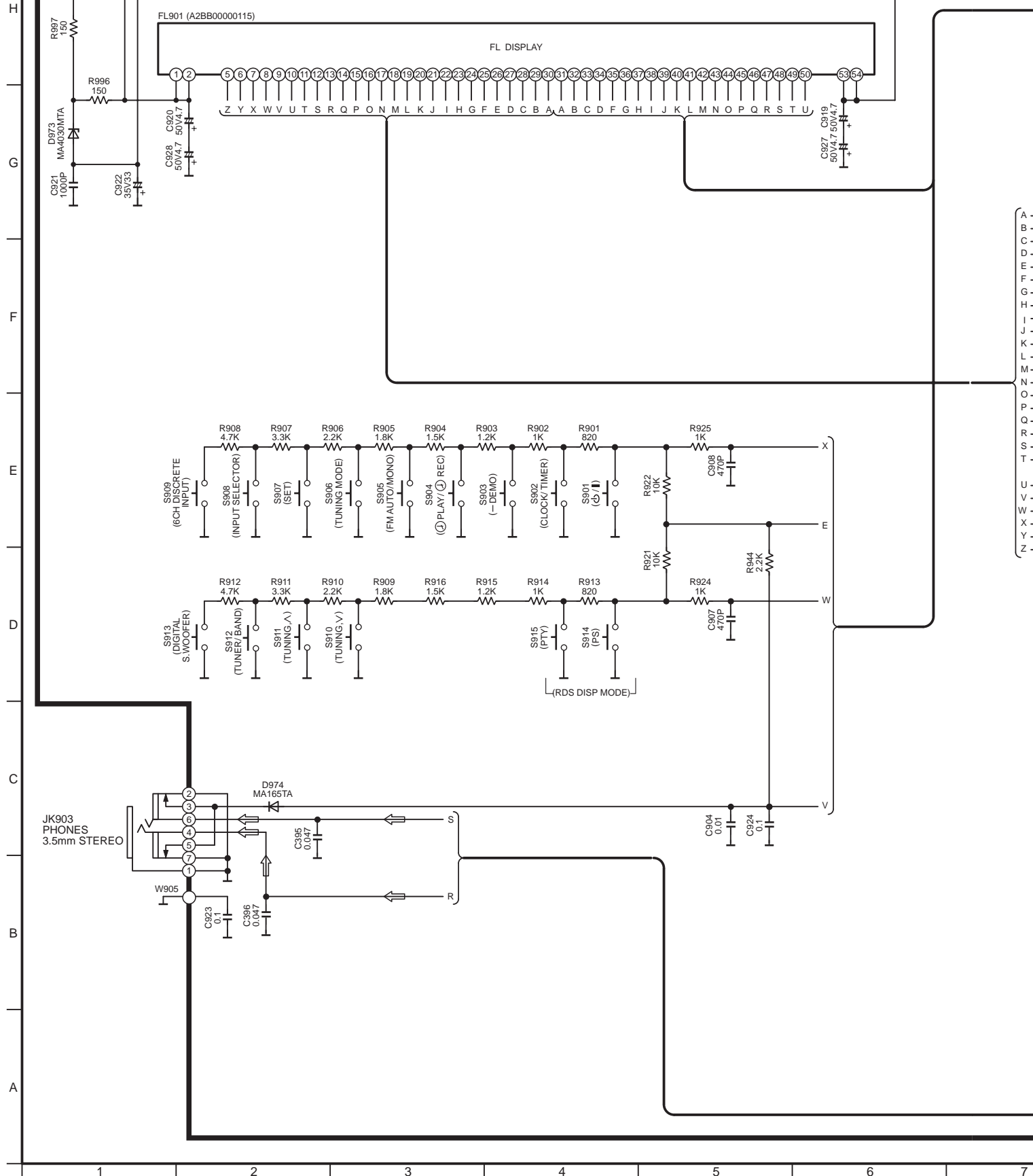


**F POWER TRANSFORMER (B) CIRCUIT**

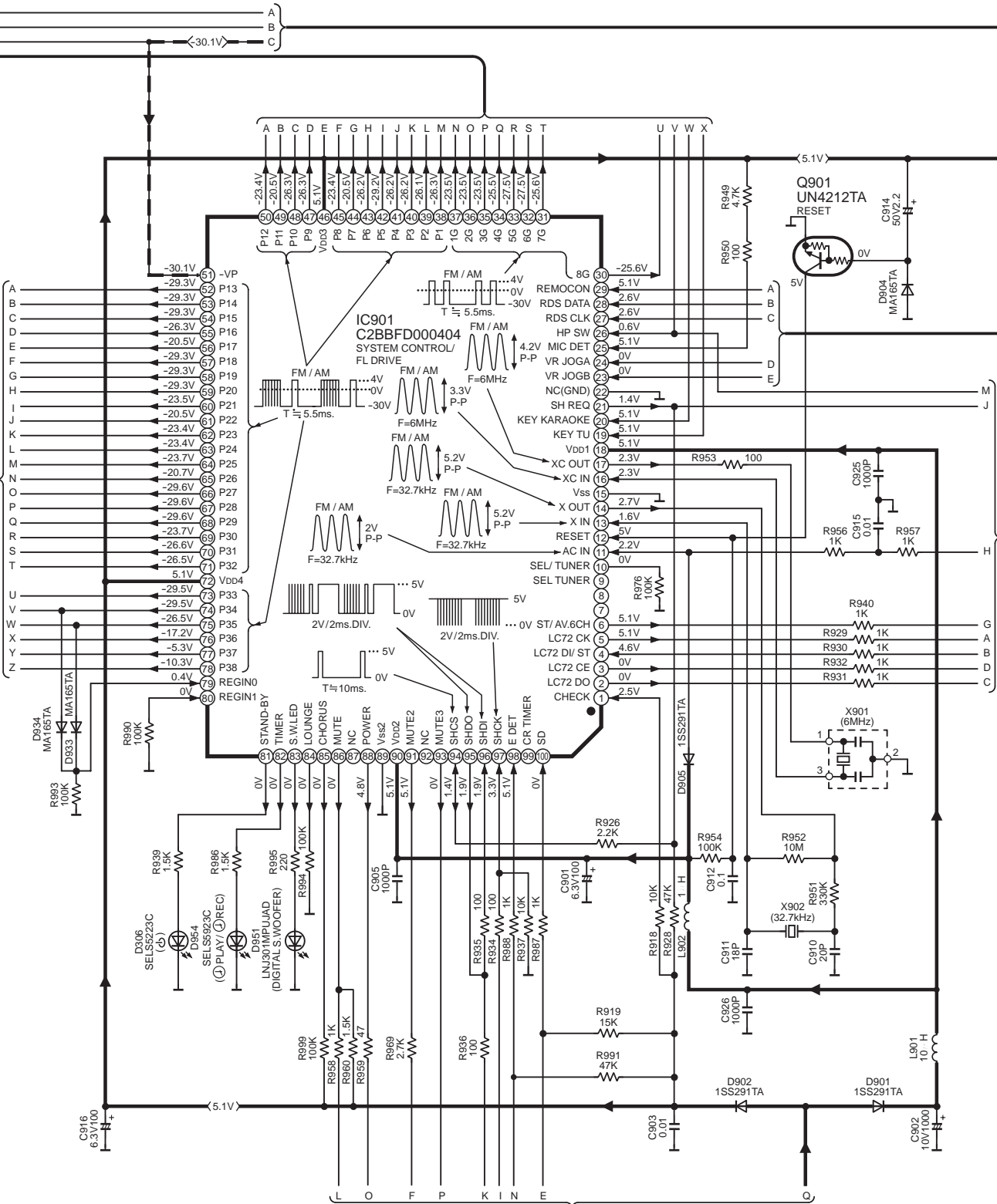


SA-EH790(E,EB,EG,EP) MAIN, AC IN, POWER TRANSFORMER(A)&(B) CIRCUIT DIAGRAM

# A OPERATION CIRCUIT



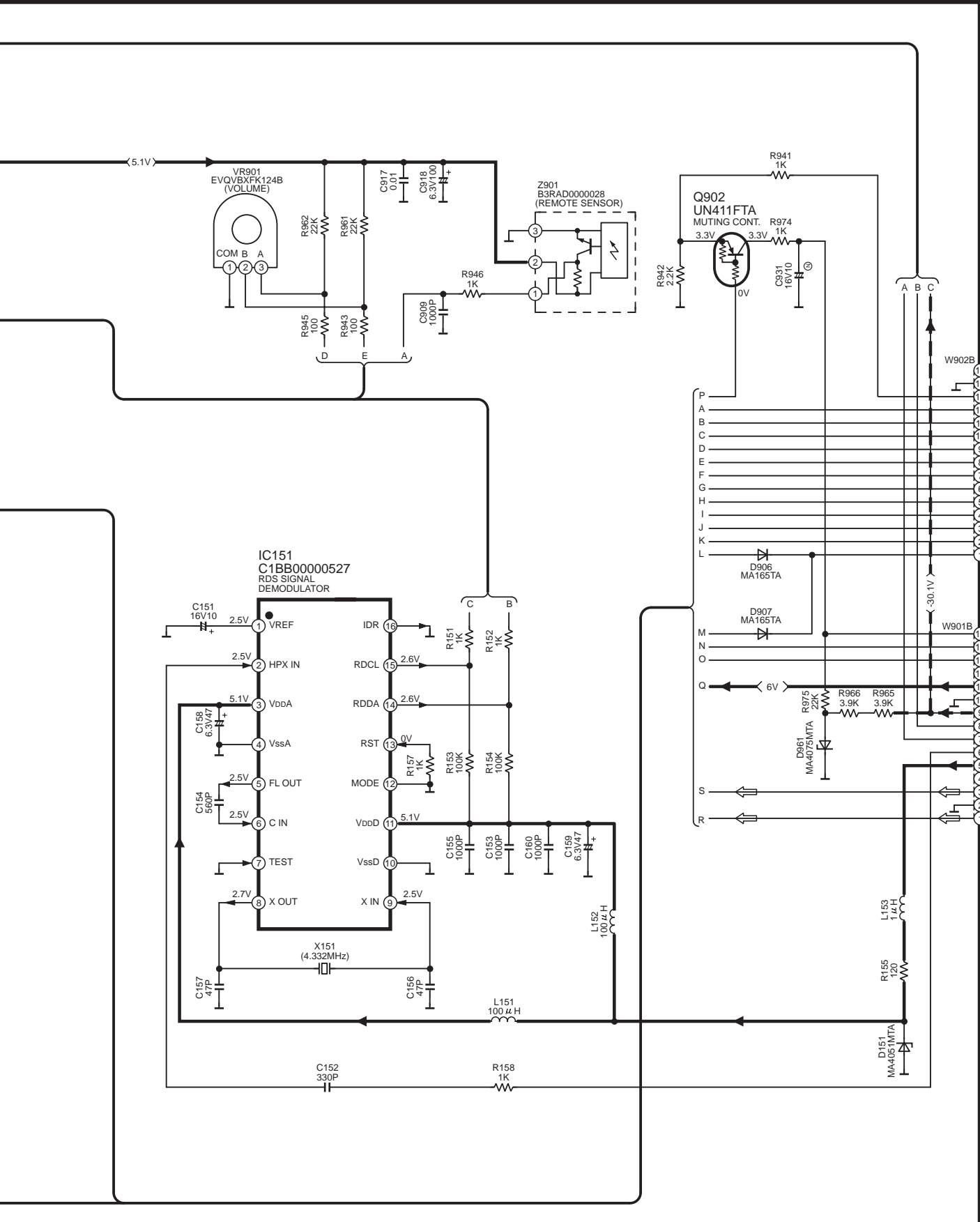
→ : POSITIVE VOLTAGE LINE    ← : NEGATIVE VOLTAGE LINE    ⇨ : AUDIO SIGNAL LINE



SA-EH790(E,EB,EG,EP) OPERATION CIRCUIT DIAGRAM

# A OPERATION CIRCUIT

: NEGATIVE VOLTAGE LINE     : AUDIO SIGNAL LINE  
 : POSITIVE VOLTAGE LINE     : TUNER SIGNAL LINE

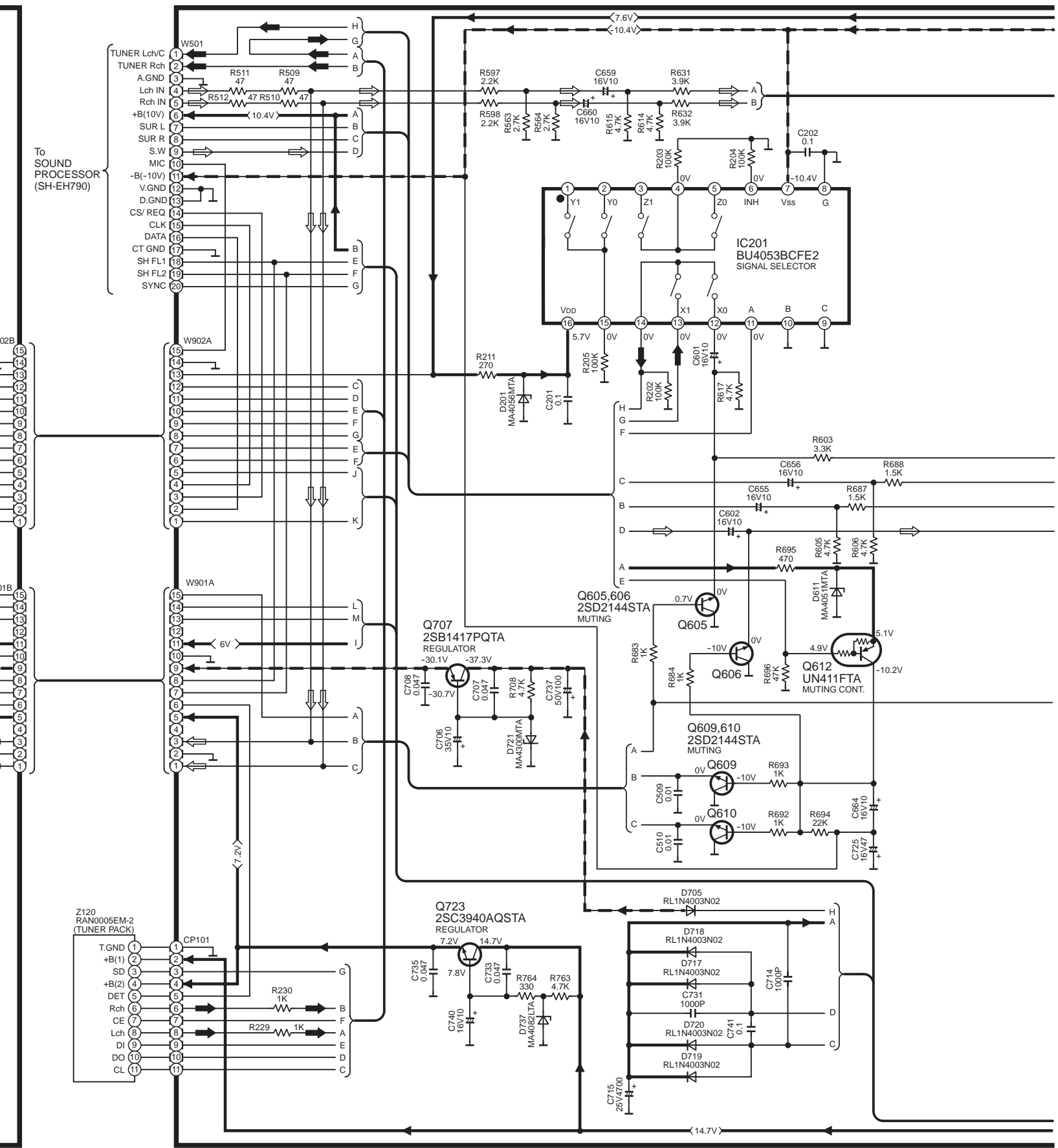


To SOUND PROCESSOR (SH-EH790)

- TUNER Lch  
 TUNER R  
 A.GN  
 Lch L  
 Rch  
 +B(10)  
 SUR  
 SUR  
 S.  
 M  
 -B(-10)  
 V.GN  
 D.G  
 CS/ RE  
 CI  
 DA  
 CT GN  
 SH F  
 SH F  
 SYN




- Z120 RAN0005EM-2 (TUNER PACK)
- T.GND (1)
  - +B(1) (2)
  - SD (3)
  - +B(2) (4)
  - DET (5)
  - Rch (6)
  - CE (7)
  - Lch (8)
  - DI (9)
  - DO (10)
  - CL (11)

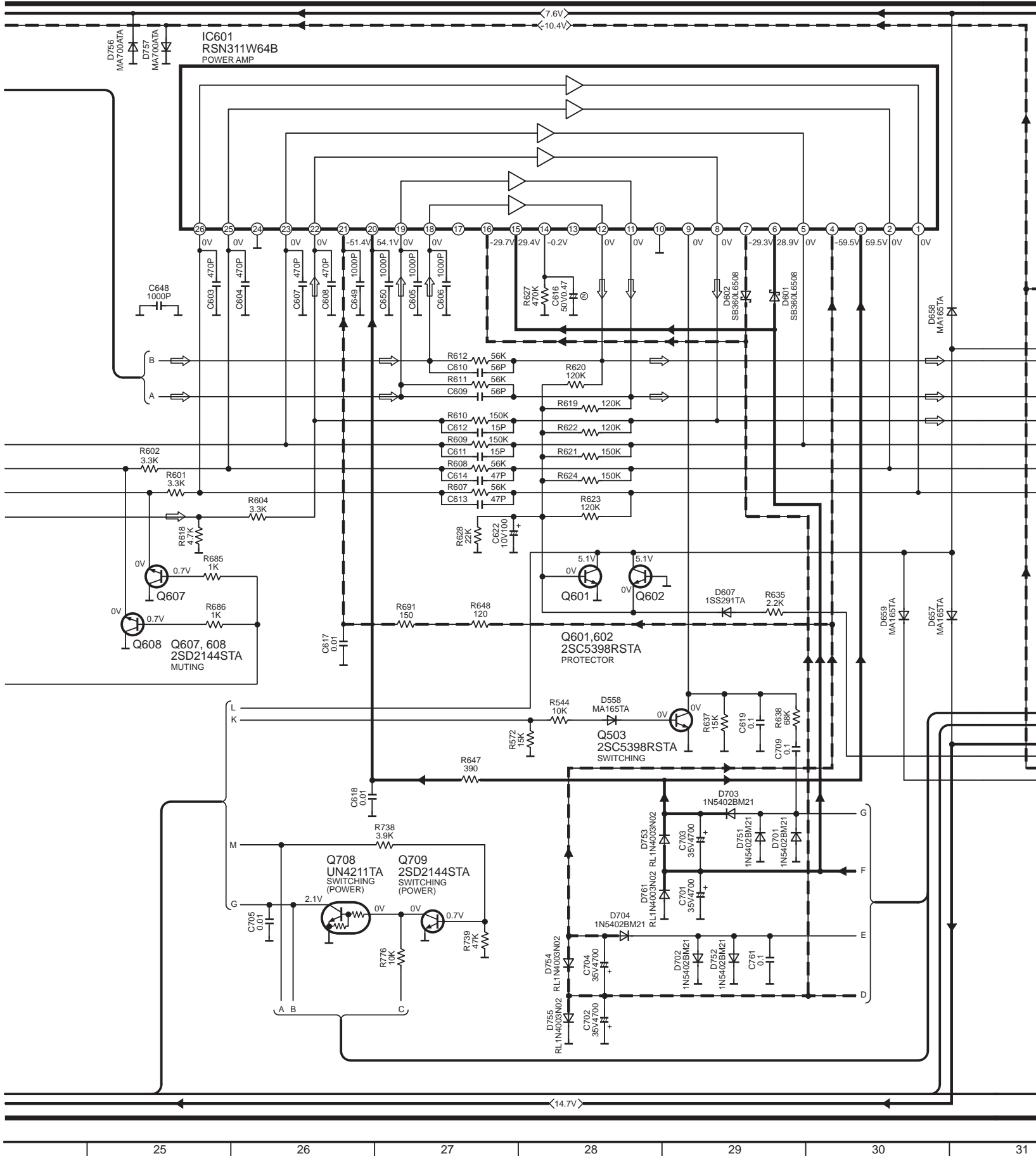
# B MAIN CIRCUIT



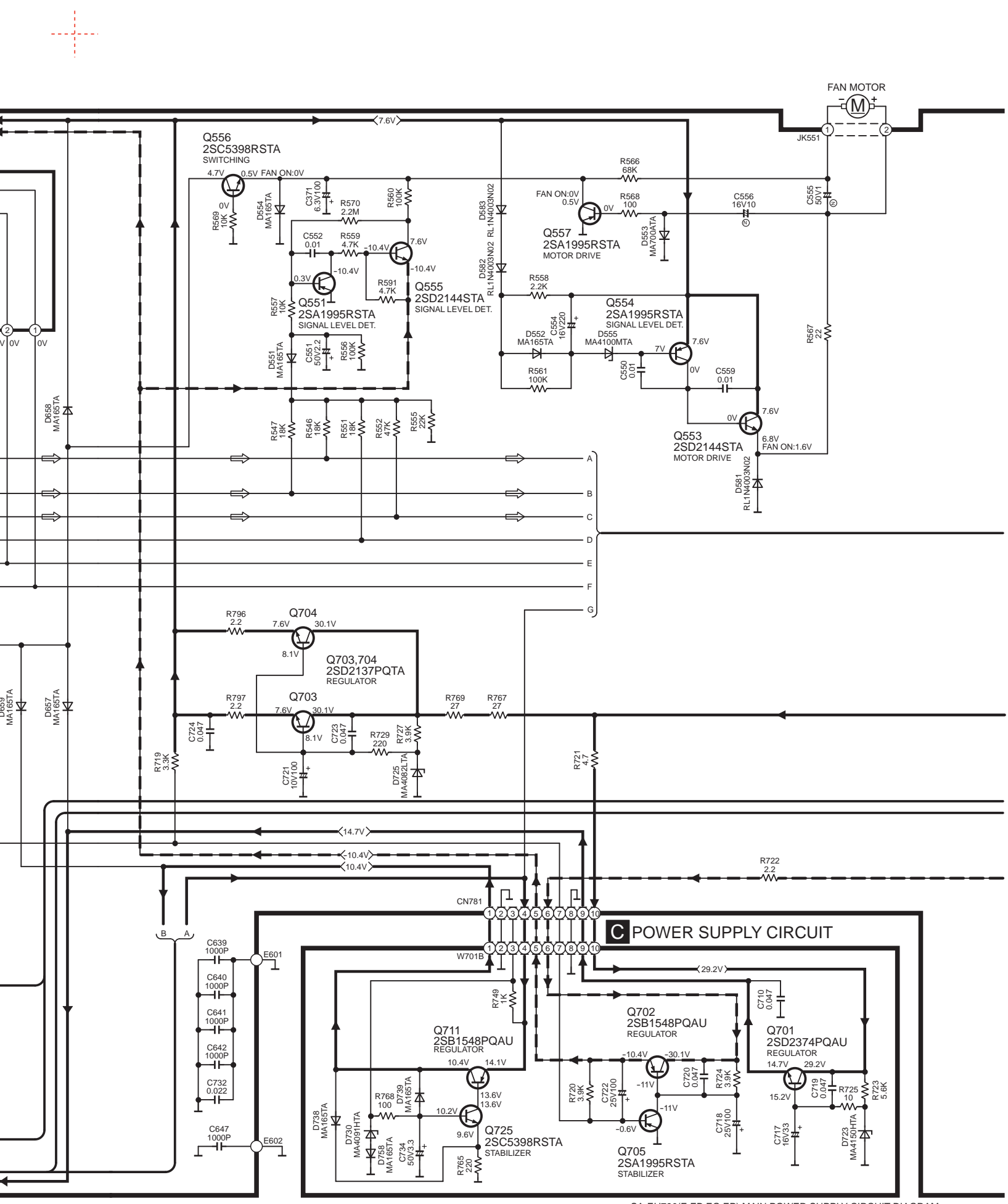
SA-EH790(E,EB,EG,EP) OPERATION, MAIN CIRCUIT DIAGRAM

# B MAIN CIRCUIT

 : POSITIVE VOLTAGE LINE  
 : NEGATIVE VOLTAGE LINE  : AUDIO SIGNAL LINE



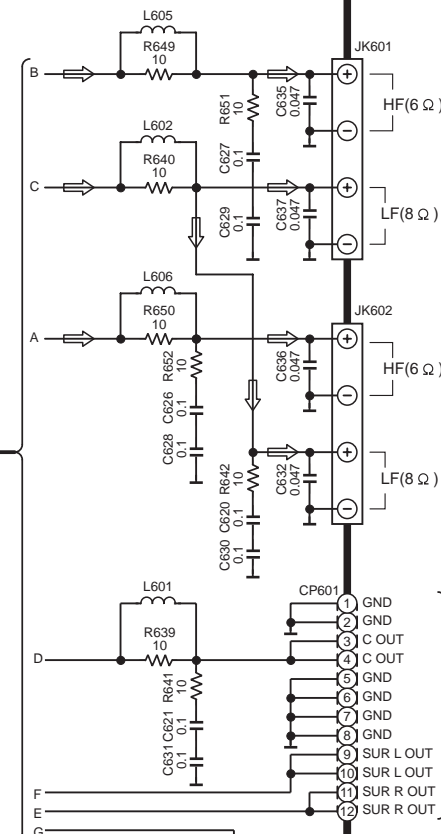




SA-EH790(E,EB,EG,EP) MAIN, POWER SUPPLY CIRCUIT DIAGRAM

# B MAIN CIRCUIT

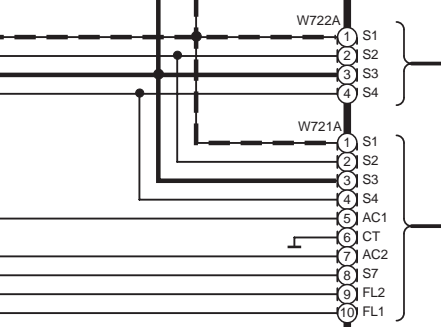
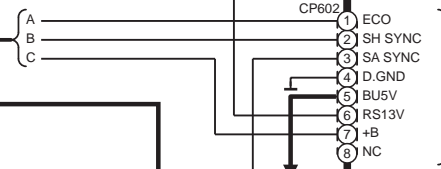
: POSITIVE VOLTAGE LINE  
 : NEGATIVE VOLTAGE LINE     : AUDIO SIGNAL LINE



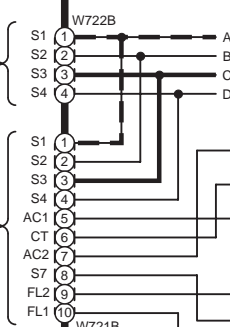
SPEAKERS

GND  
 GND  
 C OUT  
 C OUT  
 GND  
 GND  
 GND  
 SUR L IN  
 SUR L IN  
 SUR R IN  
 SUR R IN

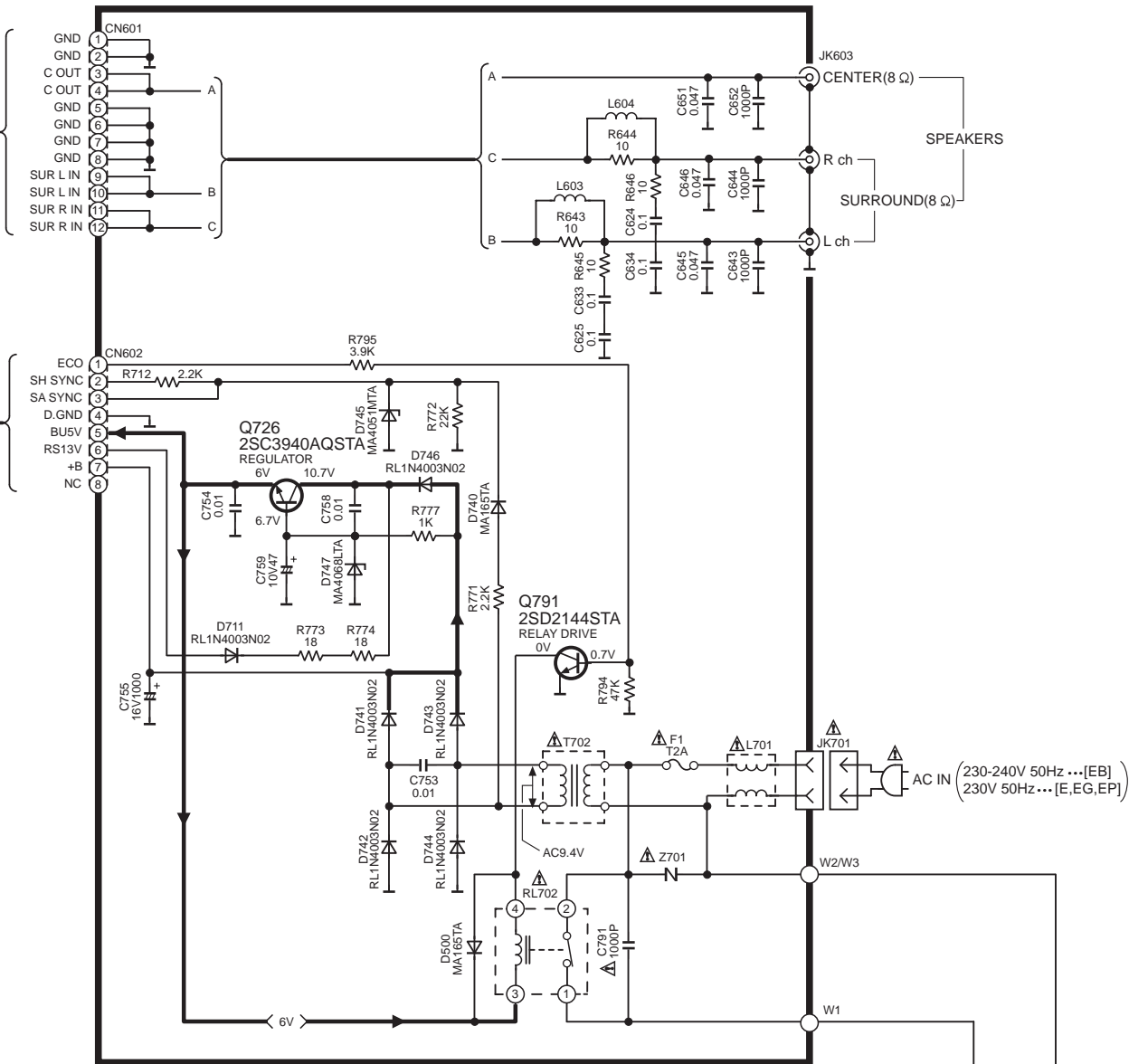
ECO  
 SH SYNC  
 SA SYNC  
 D.GND  
 BU5V  
 RS13V  
 +B  
 NC



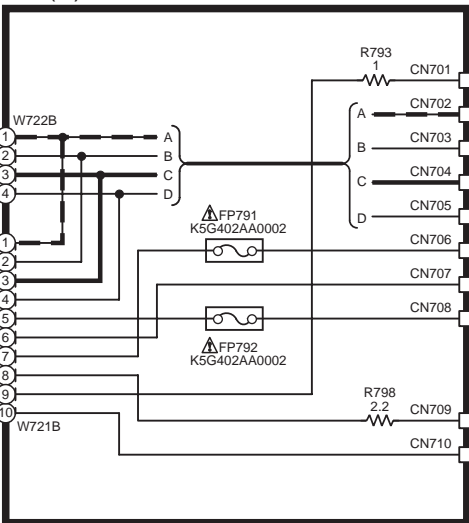
# E POWER T (A) CIRCUIT



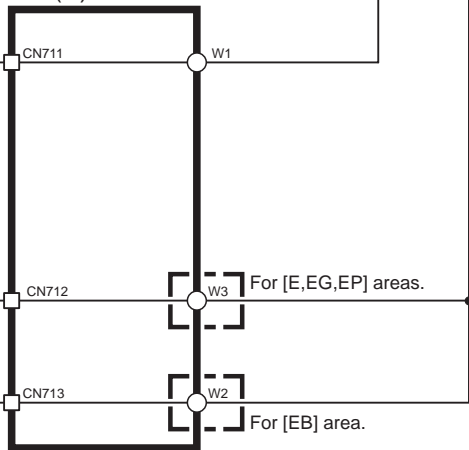
### D AC IN CIRCUIT



### E POWER TRANSFORMER (A) CIRCUIT



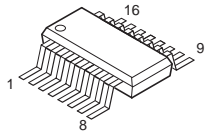
### F POWER TRANSFORMER (B) CIRCUIT



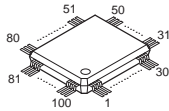
SA-EH790(E,EB,EG,EP) MAIN, AC IN, POWER TRANSFORMER(A)&(B) CIRCUIT DIAGRAM

H  
G  
F  
E  
D  
C  
B  
A

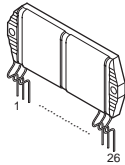
BU4053BCFE2  
C1BB00000527



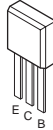
C2BBFD000404



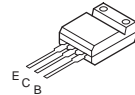
RSN311W64B



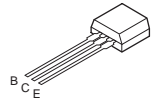
UN411FTA  
UN4211TA  
UN4212TA



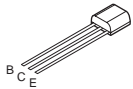
2SB1417PQTA  
2SD2137PQTA



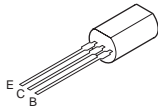
2SD2144STA



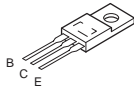
2SA1995RSTA  
2SC5398RSTA



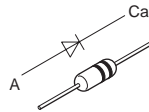
2SC3940AQSTA



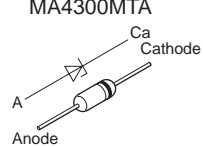
2SB1548PQAU  
2SD2374PQAU



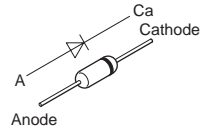
1SS291TA  
MA700ATA



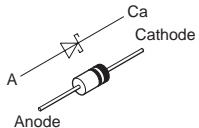
MA4100MTA  
MA4150HTA  
MA4300MTA



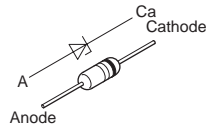
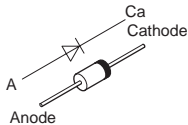
MA165TA



SB360L6508

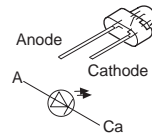


1N5402BM21  
RL1N4003N02



MA4030MTA  
MA4051MTA  
MA4056MTA  
MA4068LTA  
MA4075MTA  
MA4082LTA  
MA4091HTA

LNJ301MPUJAD



SELS5223C  
SELS5923C

